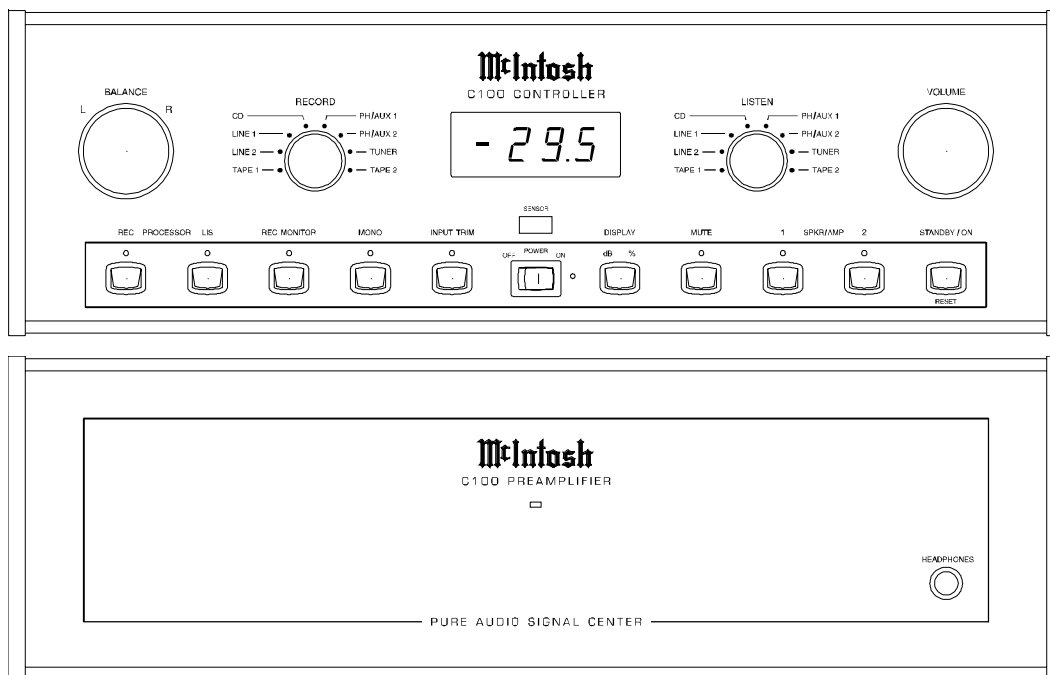




Preamplifier/Controller



C100



Thank You, Please Take A Moment, Customer Service and Table of Contents

Thank You

For your decision to own this McIntosh C100 Preamplifier/Controller ranks you at the very top among discriminating music listeners. You now have "The Best." The McIntosh dedication to "Quality," is assurance that you will receive many years of musical enjoyment from this unit.

Please take a short time to read the information in this manual. We want you to be as familiar as possible with all the features and functions of your new McIntosh C100. This will ensure that you receive all the performance benefits this equipment can offer you, and that it will become a highly valued part of your home entertainment system.

Please Take A Moment

The serial number, purchase date and McIntosh dealer name are important to you for possible insurance claim or future service. The serial number is located on the rear panel of the equipment. The spaces below have been provided for you to record that information:

Serial Number:

Purchase Date:

Dealer Name:

Customer Service

If at any time you have questions about your C100 Preamplifier/Controller, please contact:

McIntosh Laboratory, Inc.
2 Chambers Street
Binghamton, New York 13903
Phone: 607-723-3512
FAX: 607-724-0549

Table of Contents

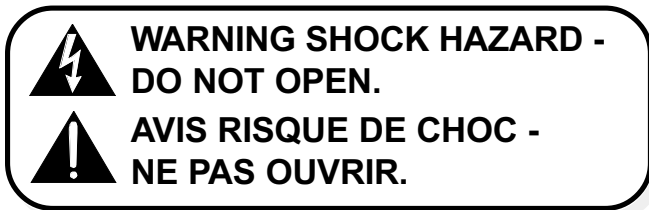
Thank You	2
Please Take a Moment	2
Customer Service	2
Table of Contents	2
Safety Instructions	3
Introduction	4
Performance Features	4
Installation	5
C100C Rear Panel Connections	6
How to Connect the C100C	7
C100P Rear Panel Switches and Connections	8
How to Connect the C100P with Balanced Connections ...	9
How to Connect the C100P with Unbalanced Connections	10
C100P Front Panel Display and Connection	11
C100C Front Panel Controls, Displays, Push-Buttons, and Switches	12
How to Trim Input Volume Levels	13
How to Operate the C100	14
HR-100 Push-Buttons	16
How to Operate by Remote Control	17
Specifications	18
Packing Instruction	19

NOTES:

- 1. The C100 Preamplifier/Controller consist of two separate chassis. The C100 Controller chassis will be referred to as the C100C through out this owners manual. In a similar manor the C100 Preamplifier chassis will be refereed to as the C100P through out this owners manual.*
- 2. "dB" is an abbreviation of the word decibel, which is a unit measure of sound intensity.*
- 3. Balanced and Unbalanced Inputs and Outputs can be mixed. For example, you may connect signal sources to Unbalanced Inputs and feed signals out from the Balanced Outputs. You can also use Balanced and Unbalanced outputs simultaneously, connected to different power amplifiers.*
- 4. Due to regulations in certain countries, the C100C may not include rear panel AC outlets.*

IMPORTANT SAFETY INSTRUCTIONS!

PLEASE READ THEM BEFORE OPERATING THIS EQUIPMENT.



General:

1. Read all the safety and operating instructions, contained in this owner's manual, before operating this equipment.
2. Retain this owner's manual for future reference about safety and operating instructions.
3. Adhere to all warnings and operating instructions.
4. Follow all operating and use instructions.
5. **Warning: To reduce risk of fire or electrical shock, do not expose this equipment to rain or moisture. This unit is capable of producing high sound pressure levels. Continued exposure to high sound pressure levels can cause permanent hearing impairment or loss. User caution is advised and ear protection is recommended when playing at high volumes.**
6. **Caution: to prevent electrical shock do not use this (polarized) plug with an extension cord, receptacle or other outlet unless the blades can be fully inserted to prevent blade exposure.**
Attention: pour prevenir les chocs electriques pas utiliser cette fiche polarisee avec un prolongateur, une prise de courant ou un autre sortie de courant, sauf si les lames peuvent etre inserees afond ans en laisser aucune partie a decouvert.
7. For added protection for this product during a lightning storm, or when it is left unattended and unused for long periods of time, unplug it from the wall outlet and disconnect the antenna or cable system. This will prevent damage to the product due to lightning or power line surges.

8. Do not use attachments not recommended in this owner's manual as they may cause hazards.

Installation:

9. Locate the equipment for proper ventilation. For example, the equipment should not be placed on a bed, sofa, rug, or similar surface that may block ventilation openings; or, placed in a built-in installation, such as a bookcase or cabinet, that may impede the flow of air through the ventilation openings.
10. Locate the equipment away from heat sources such as radiators, heat registers, stoves, or other appliance (including amplifiers) that produce heat.
11. Mount the equipment in a wall or cabinet only as described in this owner's manual
12. Do not use this equipment near water; for example, near a bathtub, washbowl, kitchen sink, laundry tub, in a wet basement or near a swimming pool, etc.
13. Do not place this product on an unstable cart, stand, tripod, bracket, or table. The equipment may fall, causing serious injury to a person, and serious damage to the product.

Connection:

14. Connect this equipment only to the type of AC power source as marked on the unit.
15. Route AC power cords so that they are not likely to be walked on or pinched by items placed upon or against them, paying particular attention to cords at plugs, convenience receptacles, and the point where they exit from the instrument.
16. Do not defeat the inherent design features of the polarized plug. Non-polarized line cord adapters will defeat the safety provided by the polarized AC plug. If the plug should fail to fit, contact your electrician to replace your obsolete outlet. Do not defeat the safety purpose of the grounding-type plug.
17. Do not overload wall outlets, extension cords or integral convenience receptacles as this can result in a risk of fire or electric shock.

Care of Equipment:

18. Clean the instrument by dusting with a dry cloth. Unplug this equipment from the wall outlet and clean the panel with a cloth moistened with a window cleaner. Do not use liquid cleaners or aerosol cleaners.
19. Do not permit objects of any kind to be pushed and/or fall into the equipment through enclosure openings.



Never spill liquids into the equipment through enclosure openings.

20. Unplug the power cord from the AC power outlet when left unused for a long period of time.

Repair of Equipment:

21. Unplug this equipment from the wall outlet and refer servicing to a qualified service personnel under the following conditions:
 - A. The AC power cord or the plug has been damaged,
 - B. Objects have fallen, or liquid has been spilled into the equipment,
 - C. The equipment has been exposed to rain or water,
 - D. The equipment does not operate normally by following the operating instructions contained within this owner's manual. Adjust only those controls that are covered by the operating instructions, as an improper adjustment of other controls may result in damage and will often require extensive work by a qualified technician to restore the product to its normal operation,
 - E. The equipment has been dropped or damaged in any way,
 - F. The equipment exhibits a distinct change in performance - this indicates a need for service.
22. Do not attempt to service beyond that described in the operating instructions. All other service should be referred to qualified service personnel.
23. When replacement parts are required, be sure the service technician has used replacement parts specified by McIntosh or have the same characteristics as the original part. Unauthorized substitutions may result in fire, electric shock, or other hazards.
24. Upon completion of any service or repairs to this product, ask the service technician to perform safety checks to determine that the product is in proper operating condition.

Introduction

The McIntosh C100 Preamplifier/Controller is without question the finest audio preamplifier ever created. No design compromises were allowed in the quest for a preamplifier with absolute accuracy, total sonic purity and virtual elimination of distortion and audible noise. For those who have been searching for their "Last Preamplifier", your search is over.

Performance Features

● Dual Chassis

Dual-chassis design completely separates all power supply, microprocessor and control circuits from the pure audio circuits for total noise isolation.

● Balanced and Unbalanced Inputs/Outputs

Three balanced high level inputs, three balanced main outputs and one balanced tape output. are provided. Eight unbalanced inputs, three unbalanced outputs as well as listen and record processor loops are included.

● Precision Tracking Volume Control

Volume levels are controlled by a microprocessor controlled logarithmic attenuator with a tracking accuracy of 0.1dB. Levels change in 213 individual 0.5dB steps.

● Precision Volume Display

The front panel digital Volume display indicates the preamplifier gain in dB or percentage of available volume.

● Precision Parts

Only the finest precision 1% tolerance resistors and polypropylene capacitors are used throughout.

● Ultra Low Distortion

Distortion levels of all types are less than 0.002%. Music is amplified with total transparency and accuracy.

● Moving Coil and Moving Magnet Phono Input

Separate shielded precision RIAA phono preamplifier for low output moving coil phono cartridges, utilizes two double mu metal shielded, silver wire, step-up transformers. Precision RIAA phono preamplifier for moving magnet cartridges.

● Full featured Remote Control

Full featured Remote Control is included that will allow complete control of all front panel controls and switches.

● Power Control Output

A Power Control connection for convenient turn on of McIntosh power amplifiers and accessories is included.

Installation

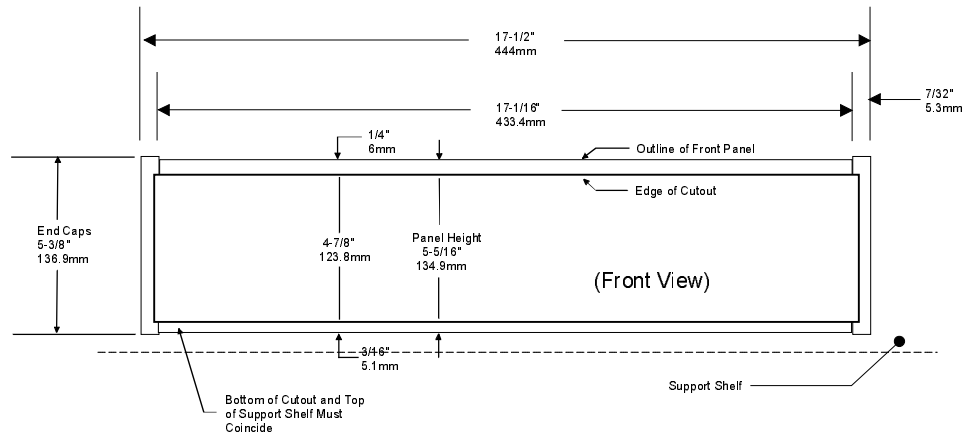
The C100 can be placed upright on a table or shelf, standing on its four feet. It also can be custom installed in a piece of furniture or cabinet of your choice. The required panel cutout, ventilation cutout and unit dimensions are shown.

Always provide adequate ventilation for your C100. Cool operation ensures the longest possible operating life for any electronic instrument. Do not install the C100 directly above a heat generating component such as a high powered amplifier. If all the components are installed in a single cabinet, a quiet running ventilation fan can be a definite asset in maintaining all the system components at the

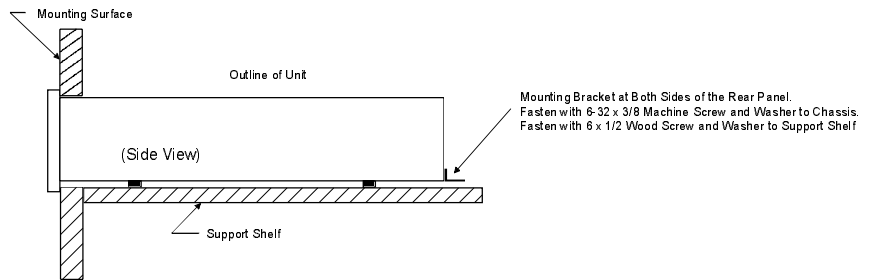
coolest possible operating temperature.

A custom cabinet installation should provide the following minimum spacing dimensions for cool operation. Allow at least 1-1/2 inches (3.8cm) above the unit so airflow is not obstructed. Allow 17-1/2 inches (44.5cm) depth behind the mounting panel, which includes clearance for connectors. Allow 1-1/8 inches (2.9cm) in front of the mounting panel for knob clearance. Be sure to cut out a ventilation hole in the mounting shelf according to the dimensions in the drawing.

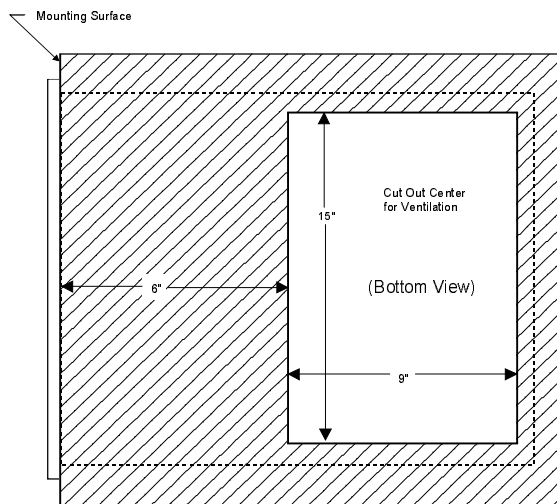
Front View of both the C100C and C100P custom installed



Side View of both the C100C and C100P custom installed



Bottom View of both the C100C and C100P custom installed





C100C Rear Panel Connections

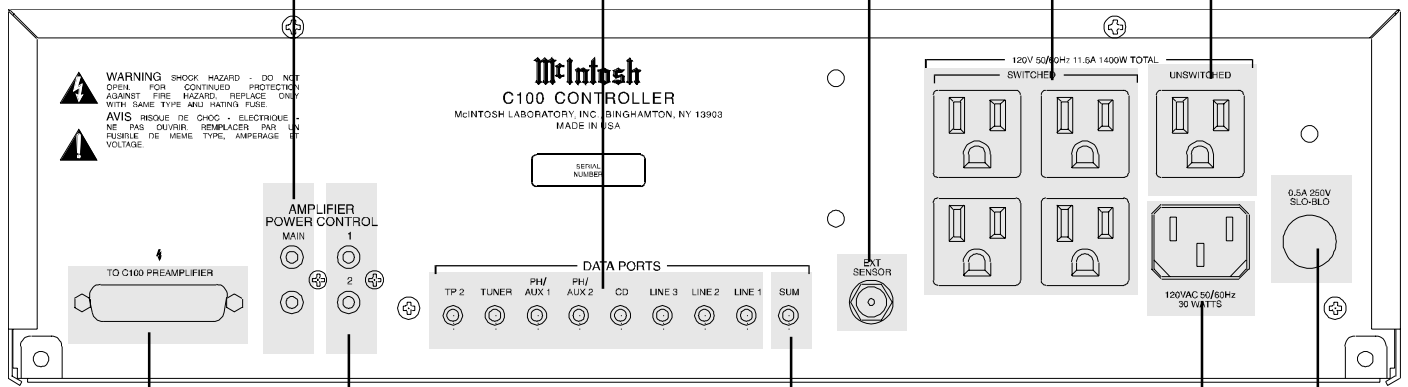
SWITCHED AC outlets turn on when the C100 turns on and are used to supply AC power to accessory components.

DATA PORTs send signals to compatible source components to allow you to control them with HR100 remote control.

AMPLIFIER POWER CONTROL Outputs send turn-on signal to a McIntosh Power Amplifier when the C100C is turned on.

The EXT (external) Sensor jack allows you to connect a McIntosh Keypad or IR sensor for remote operation.

UNSWITCHED AC outlet stays on at all times when the C100 power cord is connected to a live AC outlet.



TO C100P Connector accepts a DB25, 25 conductor cable that connects all control signals and power supply voltages from the C100C to the C100P.

SUM DATA PORT send remote signals to a McIntosh RCT Translator.

Connect the C100C power cord to a live AC outlet. Refer to information on the back panel of your C100C to determine the correct voltage for your unit.

AMPLIFIER POWER CONTROL Outputs send turn-on signal to a McIntosh Power Amplifier when the C100C Front Panel Spk/Amp 1 and/ or 2 is on.

Main Fuse holder, refer to information on the back panel of your C100C to determine the correct fuse size and rating.

How to Connect the C100C

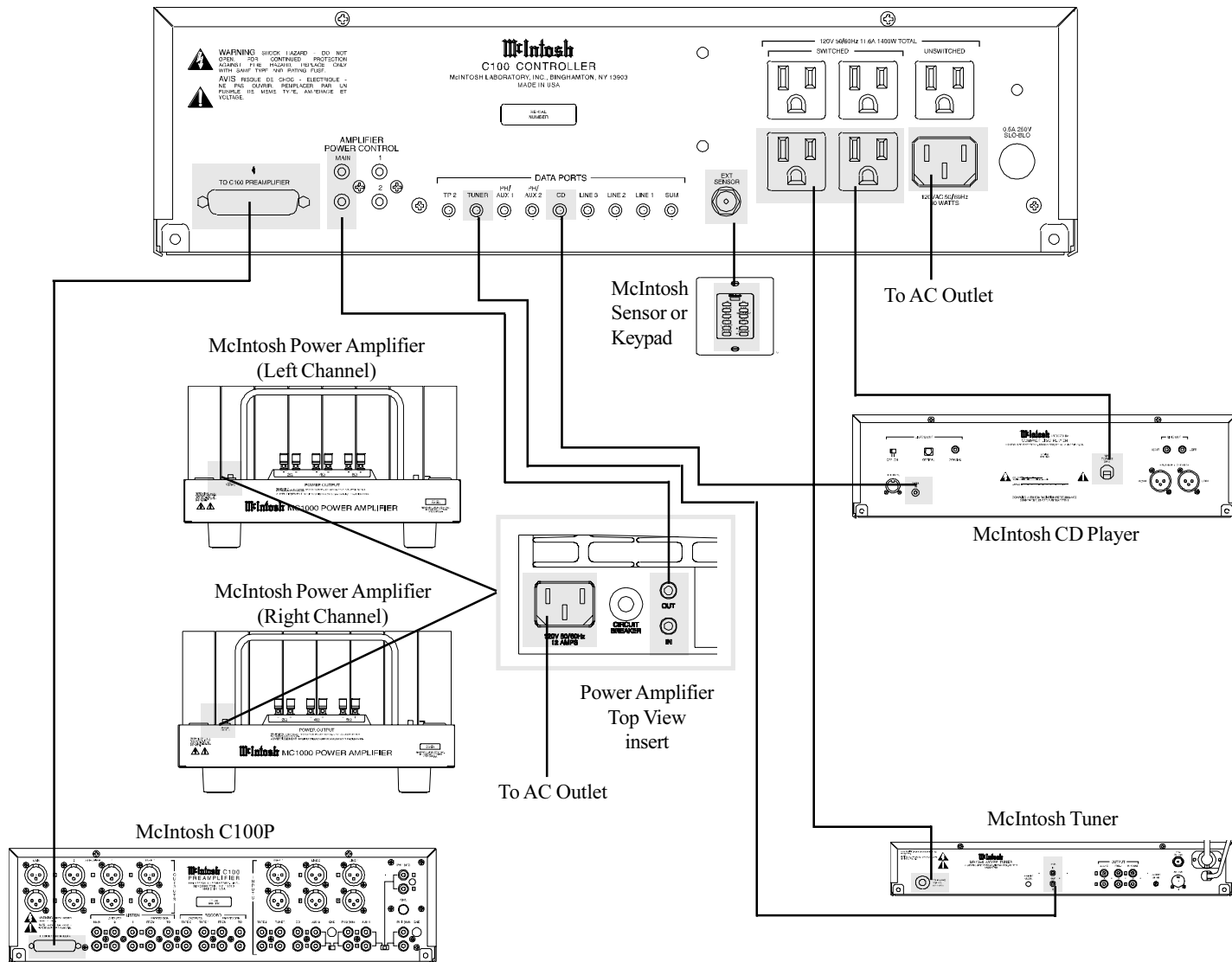
1. Connect a DB25 (25 conductor, shielded straight through male-to-female) cable from the C100C socket to the matching socket on the C100P.
2. Connect the C100C power cord to an AC outlet.
3. Connect a Power Control cable from the top MAIN AMPLIFIER POWER CONTROL jack to one McIntosh Power Amplifier and the bottom jack to a second McIntosh Power Amplifier. If you are connecting to a McIntosh Stereo Power Amplifier use the top jack.

NOTE: Turn on signals will come first from the top jack, and then the bottom jack approximately 1/2 second later.

4. Connect the AC power cords of source components to the SWITCHED AC outlets, if you want them to come on and off with the C100.

5. Connect components that require AC power at all times, to the UNSWITCHED AC outlet.
6. Connect the McIntosh Remote Controllable Components Data Ports to the appropriate C100 Data Port Jack using a Data Cable.
7. Connect the McIntosh RCT Translator to the SUM DATA PORT using a Data Cable.
8. Connect an RG6 or RG59U coaxial cable from the EXT (external) Sensor jack to a McIntosh Keypad or IR sensor.

NOTE: A Data cable consists of a mono or stereo shielded cable with 1/8 inch mini phone plugs on each end. Connections are to the tip (+) and sleeve (-) of the plugs. (McIntosh Part No. 170 202)





C100P Rear Panel Switches and Connections

MAIN Balanced
OUTPUTS contain
Listen program
signals at all times.

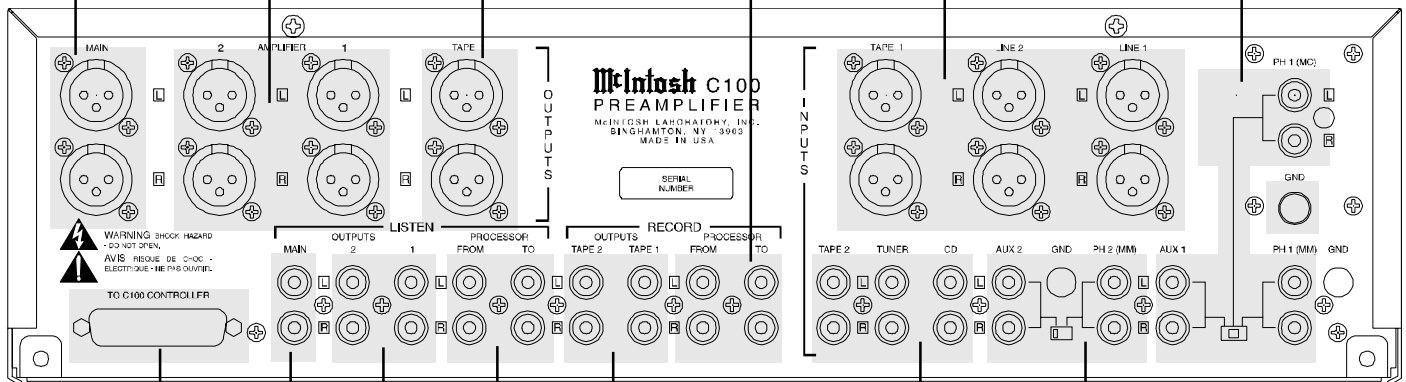
AMPLIFIER 1 and 2
Balanced OUTPUTS
contain Listen signals
and turn on/off with the
front panel SPKR/AMP
push-buttons.

RECORD PROCESSOR
FROM and TO allows an
external signal processor to
be connected for use in the
Record mode.

AUX 1 accepts high level program
source signals. PH 1 (MC) accepts low
level signals from a Moving Coil phono
cartridge and PH 1 (MM) accepts sig-
nals from a Moving Magnet phono car-
tridge. The small slide switch selects
which one of these three inputs is active
when either front panel LISTEN or
RECORD switch is set to PHX/AUX 1.

TAPE 1 Balanced
OUTPUTS contain
record out signals

LINE 1, LINE 2 and TAPE 1
Balanced INPUTS accept high
level program source signals.



TO C100C Connector
accepts a DB25, 25
conductor cable that
connects all control
signals and power sup-
ply voltages from the
C100C to the C100P.

LISTEN MAIN un-bal-
anced OUTPUTS con-
tain Listen program sig-
nals at all times.

TAPE 1, TAPE 2
un-balanced OUT-
PUTS contain
record out signals

LISTEN PROCESSOR
FROM and TO allows an
external signal processor to
be connected for use in the
Listen mode.

AUX 2 accepts high level program
source signals. PH 2 (MM) accepts
signals from a Moving Magnet phono
cartridge. The small slide se-
lects which one of these inputs is ac-
tive when the front panel LISTEN or
RECORD Selector switch is set to PH/
AUX2.

LISTEN un-balanced OUT-
PUTS 1 and 2 contain Listen
signals and turn on/off with the
front panel SPKR/AMP push-
buttons.

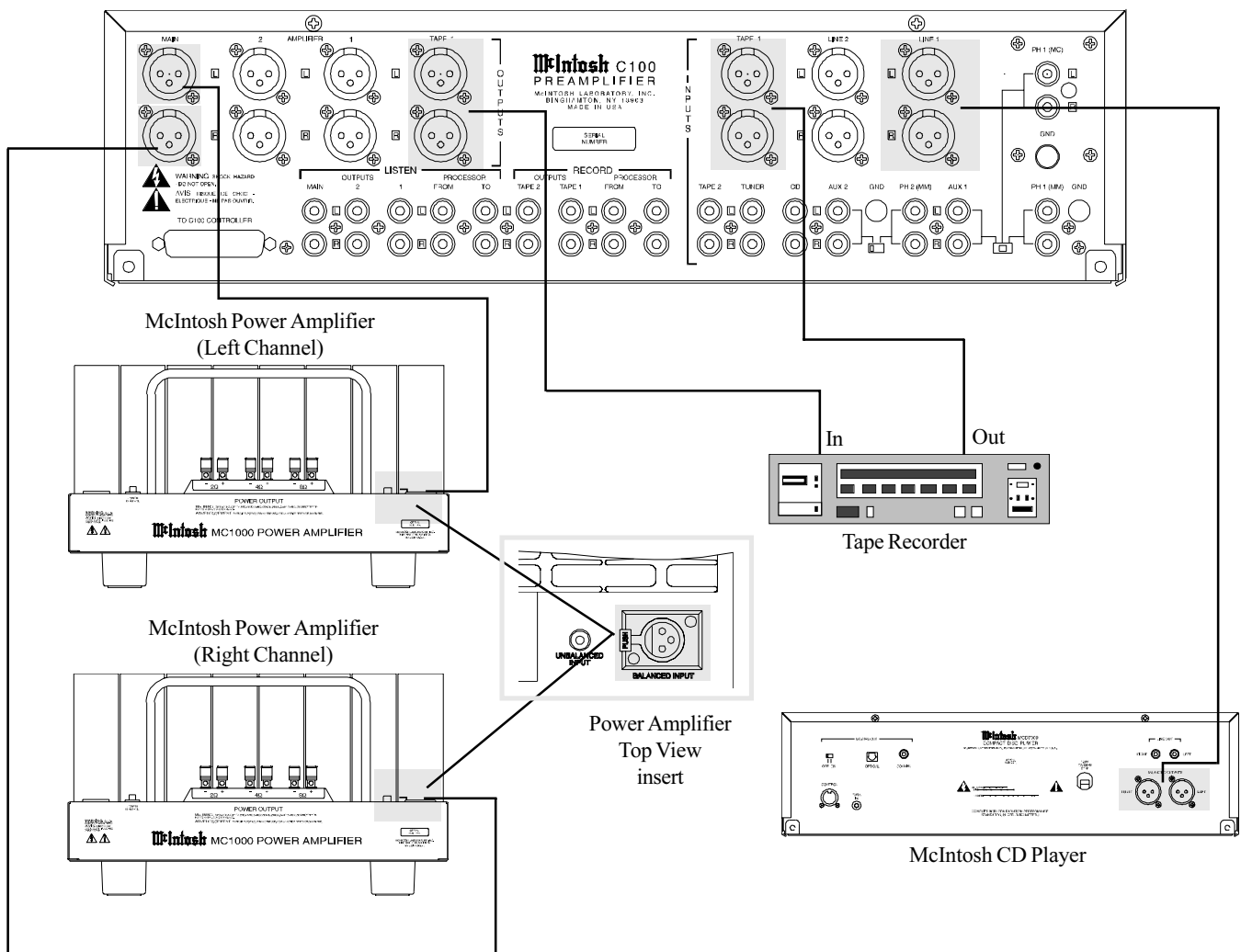
TAPE 2, Tuner, and CD un-
balanced INPUTS accept
high level program source
signals.

How to Connect the C100P with Balanced Connectors

How to Connect the C100P with Balanced Connectors

1. Connect Balanced XLR cables from the Balanced MAIN OUTPUTS to Balanced power amplifier inputs.
2. Connect Balanced XLR cables from the Balanced TAPE 1 OUTPUTS to the Balanced high level record inputs of a tape recorder.
3. Connect Balanced XLR cables from the Balanced TAPE 1 INPUTS to the Balanced high level record outputs of a tape recorder.
4. Connect Balanced XLR cables from high level Balanced outputs of a component to LINE 1 Balanced inputs.

NOTE: Balanced and Unbalanced Inputs and Outputs can be mixed. For example, you may connect signal sources to Unbalanced Inputs and feed signals out from the Balanced Outputs. You can also use Balanced and Unbalanced inputs simultaneously, connected to different power amplifiers.



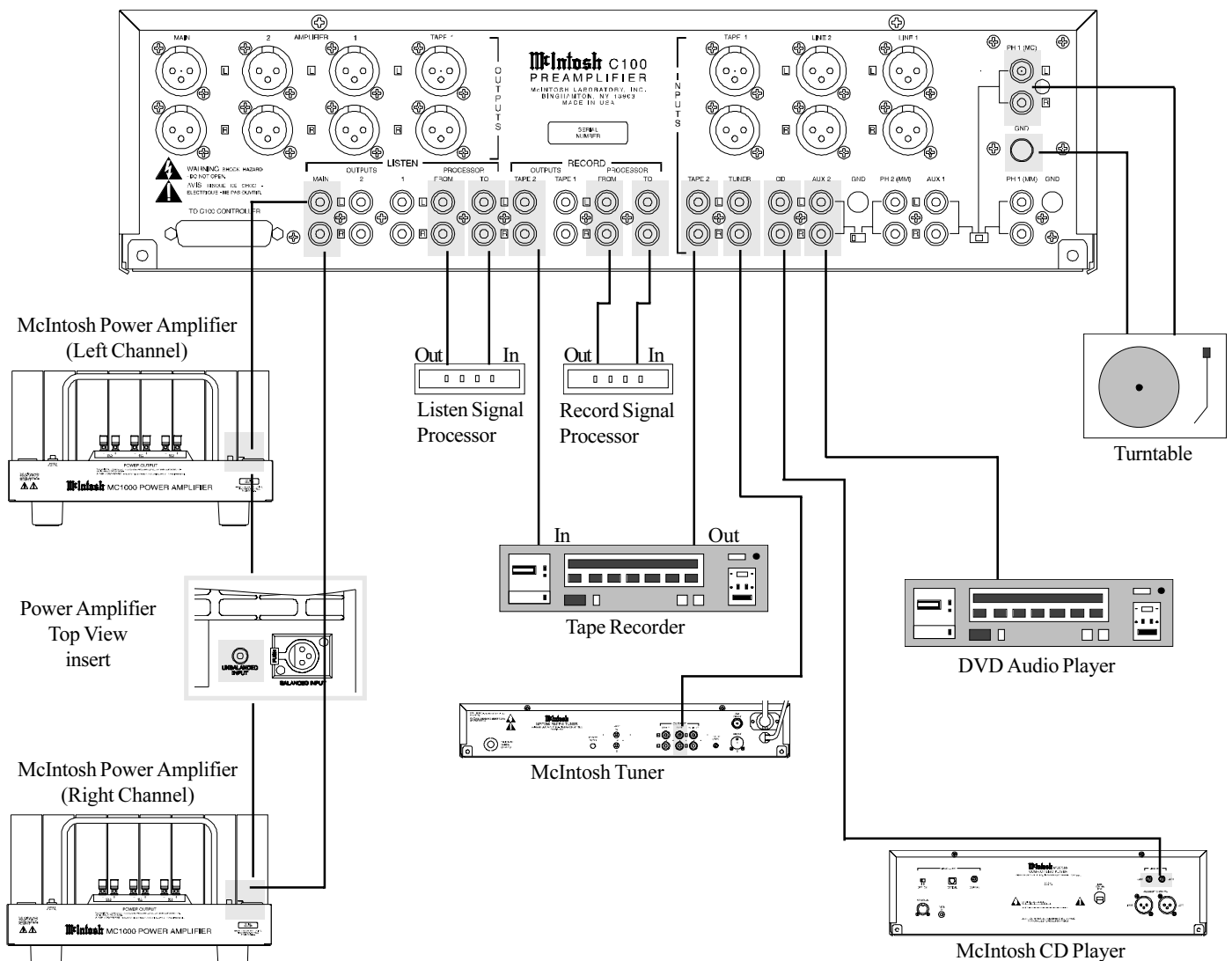


How to Connect the C100P with Unbalanced Connectors

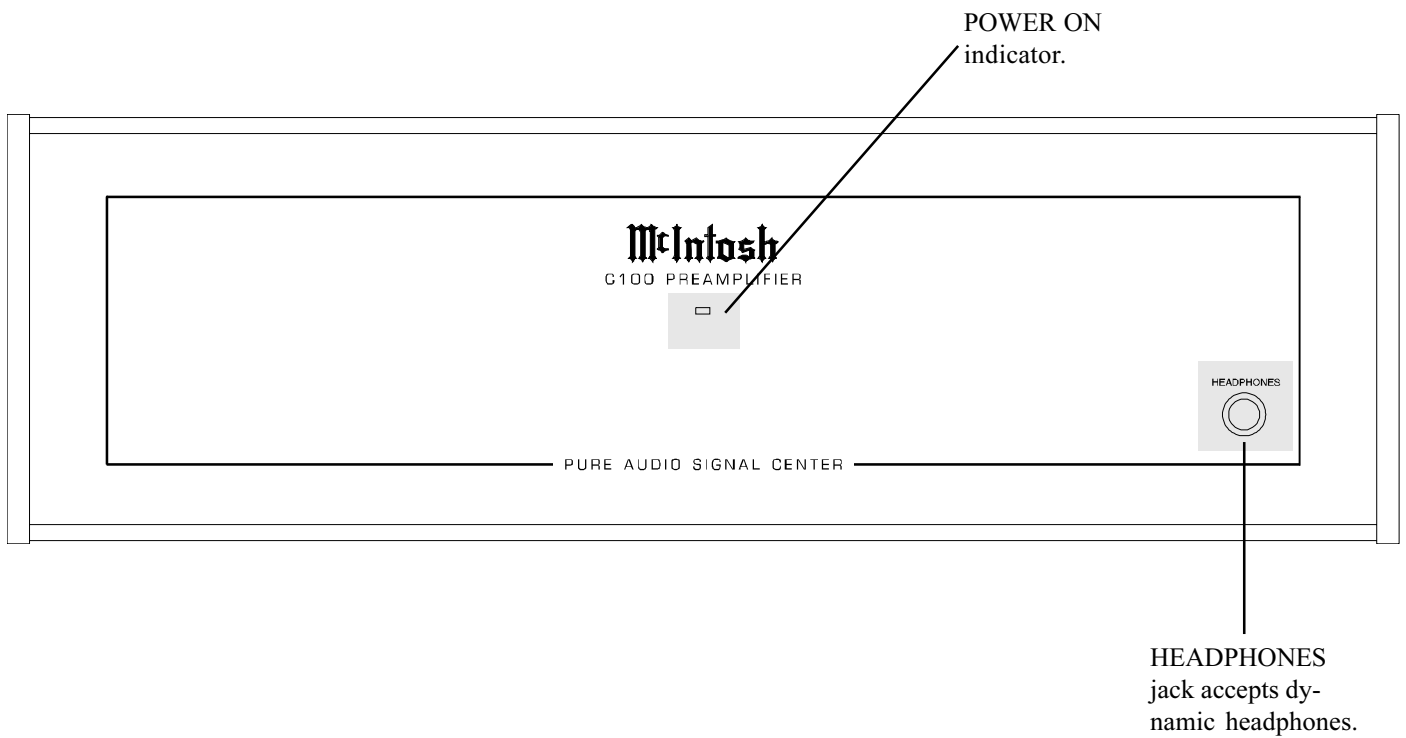
How to Connect the C100P with Unbalanced Connectors

1. Connect Unbalanced cables from the LISTEN MAIN OUTPUTS to unbalanced power amplifier inputs.
2. Connect cables from the C100 LISTEN PROCESSOR FROM jacks to the outputs of a signal processor. Connect cables from the C100 LISTEN PROCESSOR TO jacks to the signal processor inputs.
3. Connect cables from the C100 RECORD PROCESSOR FROM jacks to the outputs of a signal processor. Connect cables from the C100 RECORD PROCESSOR TO jacks to the signal processor inputs.
5. Connect cables from RECORD TAPE 2 OUTPUTS to high level record inputs of the tape recorder.
6. Connect cables from the outputs of a DVD Audio Player to the AUX 2 inputs.
7. Connect cables from the outputs of Tuner to the TUNER inputs.
8. Connect cables from a record player or turntable with a low output moving coil phono cartridge to the PH 1(MC) inputs.
9. Connect the ground wire from a record player or turntable to either of the GND terminals.

NOTE: Balanced and Unbalanced Inputs and Outputs can be mixed. For example, you may connect signal sources to Unbalanced Inputs and feed signals out from the Balanced Outputs. You can also use Balanced and Unbalanced outputs simultaneously, connected to different power amplifiers.



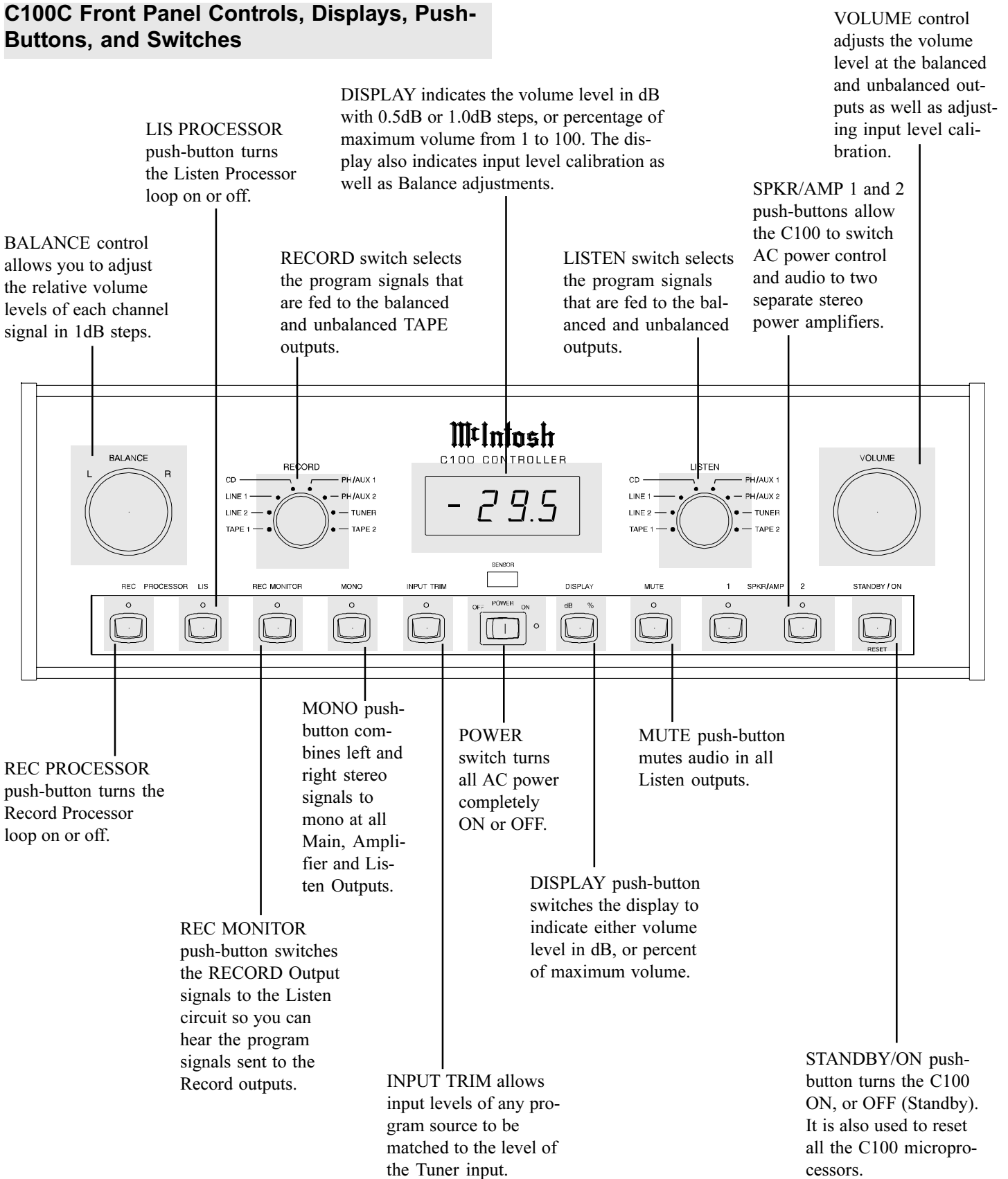
C100P Front Panel Display and Connection





C100C Front Panel Controls, Displays, Push-Buttons, and Switches

C100C Front Panel Controls, Displays, Push-Buttons, and Switches



How to Trim Input Volume Levels

Various components can have slightly different volume levels. This results in the constant need to readjust the C100 volume control when listening to different program sources. A volume trim feature on the C100 allows you to adjust or trim the volume levels of the various inputs so they are the same. The trimmed volume levels for all the inputs are based on the reference volume level of the TUNER input, which is fixed. Refer to Figure 1 during the following steps:

NOTE: Trimmed volume levels will affect only the LISTEN signals. The RECORD output levels are not affected by the trim procedure and do not change. Any TRIM adjustments made are retained in permanent memory and can be changed only by performing a new TRIM procedure.

1. Switch the C100 LISTEN selector to TUNER and adjust the volume control to the desired listening level.
2. Press the INPUT TRIM push-button. The VOLUME display will read "00" and the Red LED above the push-button will turn ON.
3. Switch to another input such as CD.
4. Adjust the volume control either up or down as needed until the listening level of the second input source is the same as the Tuner level. The display will automatically switch to dB and indicate the new setting for volume level with a range of ± 12 dB.
5. Repeat Steps 3 and 4 to trim the volume levels for other LISTEN input sources.
6. Press the INPUT TRIM push-button a second time to exit the TRIM mode and the Red LED will turn OFF.

NOTE: Whenever you select a program source with trimmed volume levels, the volume DISPLAY will automatically move up or down to reflect the desired volume level set for that source.

Optional Trim Procedure

1. Switch the RECORD selector to TUNER.
2. Switch the LISTEN selector to a different input source such as CD.
3. Press the REC MONITOR push-button and adjust the volume control to the desired listening level.
4. Press the INPUT TRIM push-button. The VOLUME display will read "00" and the Red LED above the push-button will turn ON.
5. Press the REC MONITOR a second, time to return to the LISTEN mode.
6. Adjust the volume control up or down as needed until the listening level of the second input source is the same as the Tuner level. The VOLUME display will automatically switch to dB and indicate the new setting for volume level with a range of ± 12 dB.
7. Make an instant comparison between the two volume

levels by switching REC MONITOR ON or OFF and make further adjustments as needed to match the volume levels.

8. Press INPUT TRIM a second time to exit the TRIM mode.

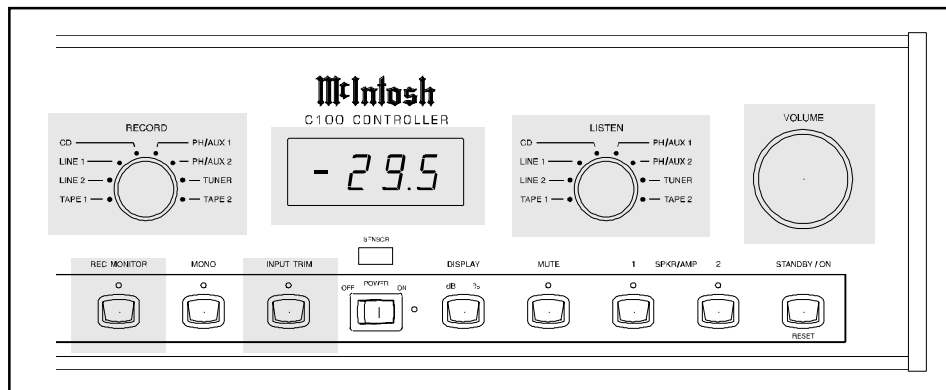


Figure 1

NOTE: The following table may be used to record your level trim adjustments for the various inputs.

Input Source	Default Setting	New Setting
Tuner	0	0
Tape 1	0	
Tape 2	0	
Line 1	0	
Line 2	0	
Ph/Aux 1	0	
Ph/Aux 2	0	
CD	0	



How to Operate the C100

Power On

Press the POWER switch to ON. The Red LED to the right of the switch lights to indicate the C100 is in Standby mode. To turn on the C100 press the STANDBY/ON push-button. Refer to Figure 2.

NOTE: You may also turn on the C100 using the HR100 remote control.

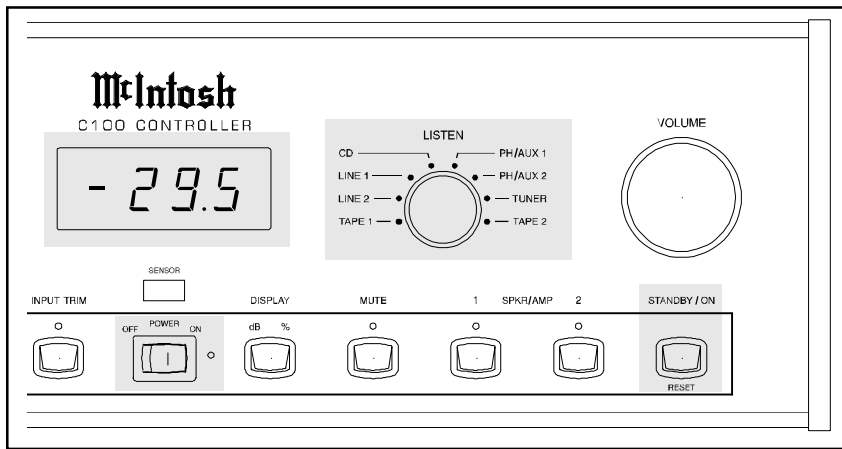


Figure 2

Source Selection

Select the desired listening source with the LISTEN Switch.

Volume Control

Adjust the VOLUME control for the desired listening level.

Volume Level Display

Press the DISPLAY push-button to select either dB or % volume display. The dB readings range from -92dB to +15dB, in 0.5dB or 1dB steps. The % volume display reads from 0 to 100.

Reset of Microprocessors

In the event that the controls of the C100 stop functioning, there is a user reset function built in. While the C100 is on depress and hold in the STANDBY/ON/RESET push button for five seconds, this will reset the C100 microprocessors.

NOTE: The above condition is usually caused by either interruptions in AC power and/or major changes in voltage.

Balance Control

Adjust the BALANCE control as needed to achieve approximately equal listening volume levels in each loudspeaker. Turn the BALANCE to the Left to emphasize the left channel by reducing the level of the right channel. Turn the BALANCE to the right to emphasize the right channel by reducing the level of the left channel.

Balance Display

As soon as the BALANCE control is turned, the Volume Display reads the balance change from 1 to 107 in one dB steps. After approximately 3 seconds the Volume Display returns to the Volume reading. To verify the balance setting without changing it, move the control one detent in either direction. The display will indicate the selected balance changes for approximately 3 seconds and then return to the volume display. Refer to Figure 3.

The "L" or "R" will illuminate red to indicate which channel has been emphasized by the BALANCE control. It is perfectly natural for the BALANCE control to be off the center

to achieve the correct listening volume from each loudspeaker in many listening rooms. Listening balance can also vary with different program sources, room acoustics and listening positions relative to the loudspeakers.

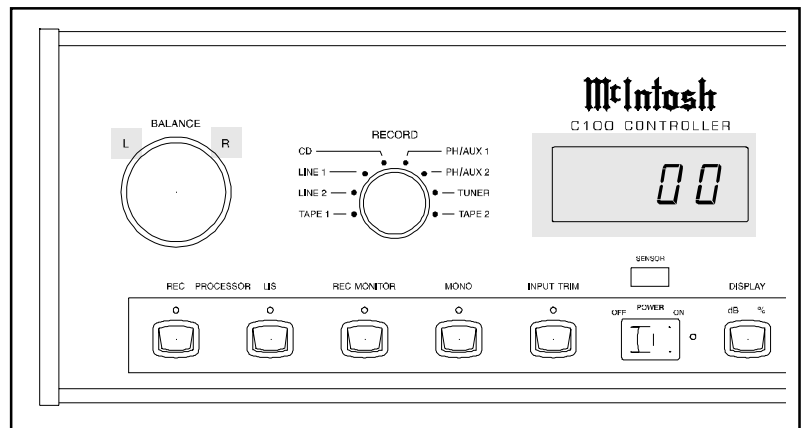


Figure 3

Mono

Press the MONO push-button to combine left and right stereo signals to mono at all MAIN, AMPLIFIER, LISTEN and HEADPHONES Outputs.

Mute

Press the MUTE push-button to mute audio in all Listen outputs.

How to change dB volume Steps

The Volume Control can adjust volume level in either 1dB or 0.5dB steps. Refer To Figure 5.

1. To change from one volume step mode to the other, first press the Input Trim Push-button and then the Display push-button.
2. To return to the previous step mode, press the Input Trim and Display push-buttons a second time.

NOTE: The display will indicate the dB level change modes according to your selection. This procedure does not affect the % volume display.

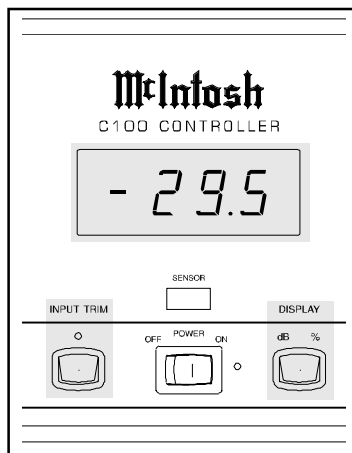


Figure 5

How To Make A Tape Recording

The separate RECORD and LISTEN switches allow you to make a tape recording from one program source while listening to another. You can also listen (monitor) to the recorded signal off the tape, a fraction of a second later, during recording when a three head tape recorder is used. You can also listen to the signal being fed to the tape recorder by pressing the REC MONITOR push-button. Refer to Figure 4.

1. Select the desired program source to record with the front panel RECORD selector switch.
2. Adjust the record level using the tape recorder volume control.

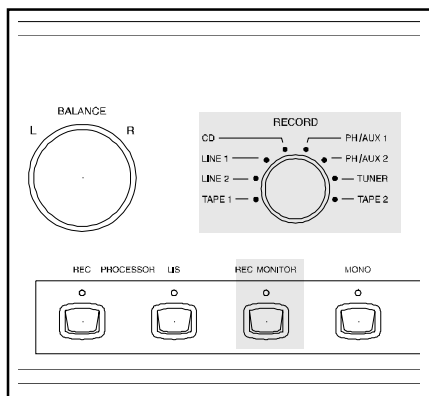


Figure 4

3. To listen to the signal being fed to the tape recorder, press the REC (Record) MONITOR push-button.
4. To listen to the tape playback of the program source just recorded, turn the LISTEN switch to the desired input.

NOTE: The C100 RECORD OUTPUTS are not affected by the VOLUME or BALANCE controls. To listen to a different program source while recording, turn the LISTEN switch to the desired source. The recording process will not be affected and will continue.

How to use a Signal Processor

Access and operate a signal processor connected to the LISTEN PROCESSOR jacks by pressing the front panel LIS (Listen) PROCESSOR push-button. This processor will affect only the LISTEN signals. Refer to Figure 6.

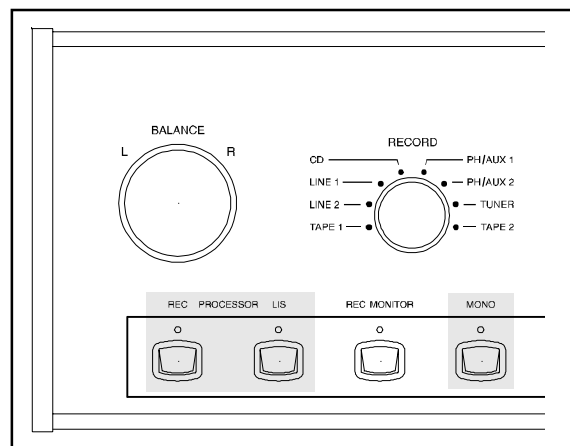
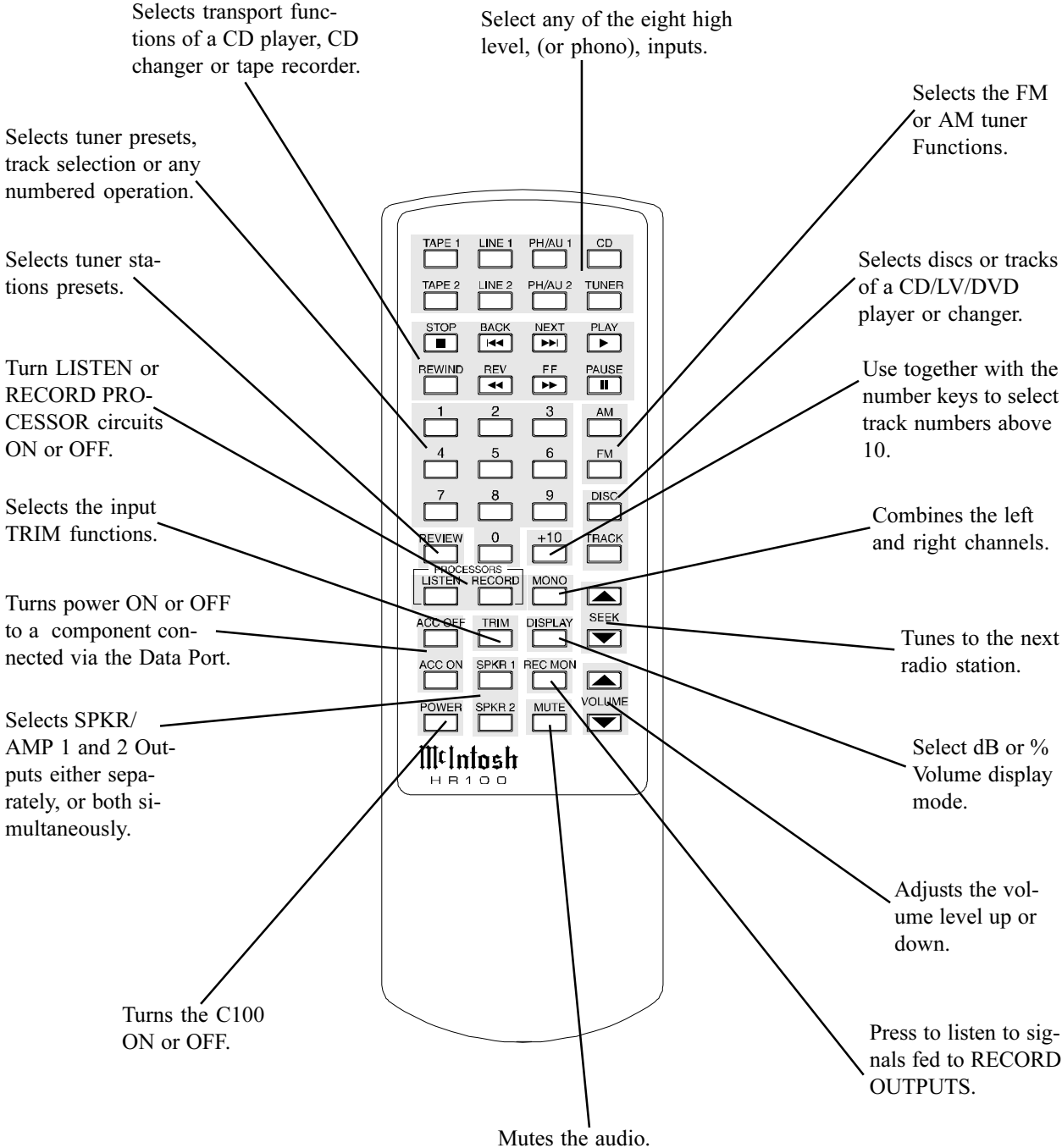


Figure 6

Access and operate a signal processor connected to the RECORD PROCESSOR jacks by pressing the front panel REC (Record) processor push-button. This processor will affect only the RECORD signals sent to tape recorders.



HR100 Push-Buttons



How to Operate HR100

Mute

Press the MUTE push-button to mute audio in all LISTEN outputs.

Mono

Press the MONO push-button to combine left and right stereo signals to mono at all MAIN, AMPLIFIER, LISTEN and HEADPHONES Outputs.

Audio

Press any of the eight Audio push-buttons to select a LISTEN program source.

CD/Tape

Use these push-buttons to operate a CD player, CD changer or tape recorder, when the component is connected to the C100 with a McIntosh RCT Translator.

Numbered and +10 Push-buttons

Press push-buttons 0 through 9 to access tuner station presets, CD tracks or CD discs. When using a McIntosh MCD7009 CD player, access track numbers higher than 10 by first pressing +10 and then a number push-button.

Disc and Track

Use the DISC and TRACK push-buttons when a CD player or changer is being used.

Tuner Push-buttons

Use with a McIntosh tuner. Select AM or FM broadcast band. Press and release SEEK Up or Down to move from station to station. Press and hold a SEEK push-button to move continuously from station to station. Press REVIEW to start the automatic brief audition of each of the presets stored in the tuner memory. Press REVIEW a second time to stop on a station preset and exit the Review process.

Processors

Press the LISTEN PROCESSOR push-button to activate rear panel processor connections to add signal processing from an external processor to the LISTEN Outputs. Press the RECORD PROCESSOR push-button to activate rear panel connections to add signal processing from an external processor to the RECORD outputs.

Record Monitor

Press the REC (Record) Monitor push-button to listen to the signals being fed to the RECORD OUTPUTS.

Volume

Press the Up or Down VOLUME push-button to raise or lower the listening volume level. The Record Outputs are not affected.

Trim

Press TRIM to enter the Input Volume Level Trim mode. Press a second time to exit the Trim mode.

Display

Press the DISPLAY push-button to cycle the Volume Display between dB and % of volume indications.

ACC ON - OFF

Press ACC ON or ACC OFF to turn power ON and OFF of components that are connected with a McIntosh RCT Translator - Repeater. Only the ACC ON push-button is active with the McIntosh LV or DVD Disc Player.

NOTE: When other brands of components are connected with a McIntosh RCT Translator, refer to the RCT Owner's Manual for further information on alternate HR100 push button functions.



Specifications

Frequency Response

+0, -0.5dB from 10Hz to 40,000Hz

Total Harmonic Distortion

0.002% from 10Hz to 40,000Hz

Signal To Noise Ratio

Phono, 86dB

High Level, 100dB

Maximum Voltage Output

12V RMS Unbalanced, 25V RMS Balanced

Output Impedance

50 ohms, Balanced and Unbalanced

Sensitivity

Phono MM, 4.4mV for 2.5V rated output (1mV IHF)

Phono MC, 100uV for 2.5V rated output

High Level, 450mV for 2.5V rated output

Input Impedance

Phono MC, 10 ohms

Phono MM, 47K ohms, 65pF

High Level, 22K Unbalanced, 44K Balanced

Maximum Input Signal

Phono MM, 50mV

High Level, 5V Unbalanced, 5V Balanced

Power Requirements

100 Volts, 50/60Hz at 30 watts.

110 Volts, 50/60Hz at 30 watts.

120 Volts, 50/60Hz at 30 watts.

220 Volts, 50/60Hz at 30 watts.

230 Volts, 50/60Hz at 30 watts.

240 Volts, 50/60Hz at 30 watts.

NOTE: Refer to the rear panel of the C100C for the correct voltage

Dimensions

17-1/2" (44.5cm) W, 5-3/8" (13.7cm) H, 17-1/2" (44.5cm)

D, (Both Enclosures, including clearance for connectors)

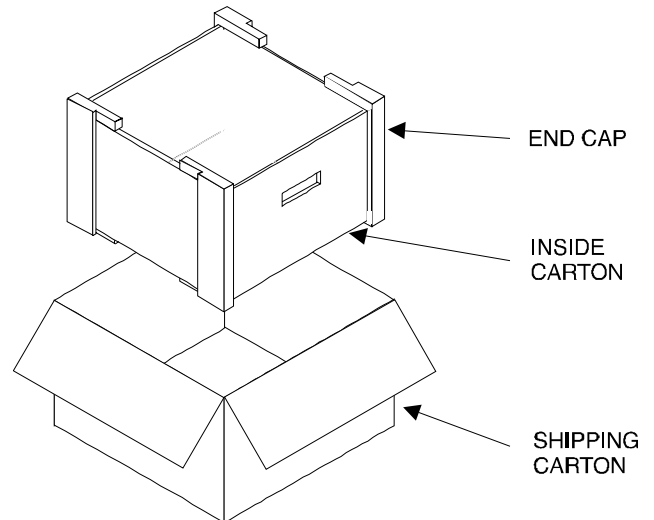
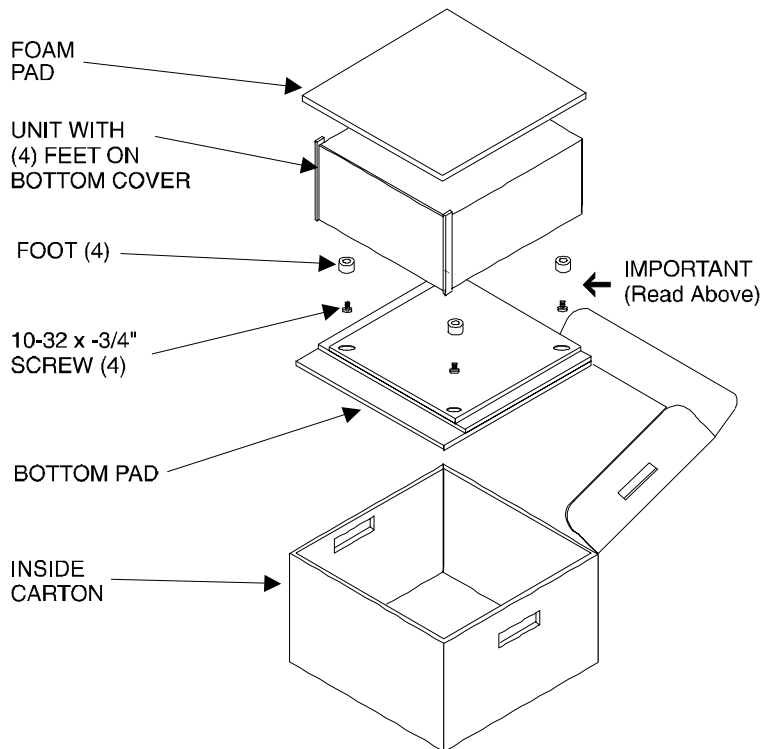
Packing Instructions

Packing Instructions

In the event it is necessary to repack the equipment for shipment, the equipment must be packed exactly as shown below. It is very important that the four plastic feet are attached to the bottom of the equipment. This will ensure the proper equipment location on the bottom pad. Failure to do this will result in shipping damage.

Use the original shipping carton and interior parts only if they are all in good serviceable condition. If a shipping carton or any of the interior part(s) are needed, please call or write Customer Service Department of McIntosh Laboratory. Please see the Part List for the correct part numbers.

Quantity	Part Number	Description
1	033829	Shipping carton only
2	033771	End Cap
4	033772	Corner Pad
1	033590	Inside carton only
1	033602	Foam Pad
1	034003	Bottom pad
4	018578	Plastic foot
4	100159	#10-32 x 3/4" screw
1	048082	Shipping carton complete with all the above parts



McIntosh[®]

McIntosh Laboratory, Inc.
2 Chambers Street
Binghamton, NY 13903

McIntosh Part No. 040484